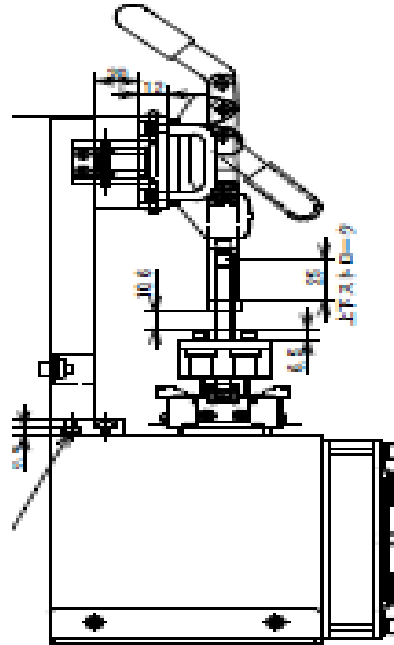




20W Ka band MMIC amplifier TEST FIXTURE



Model DRF0004

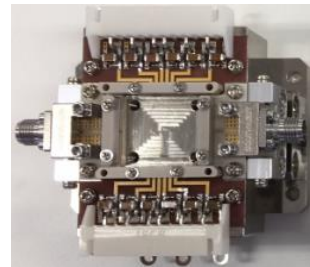
Frequency range 27 – 31GHz

RF Power 20W

K-connectors

Forced air Cooling

Copper material



CUSTOM DESIGNS

Direct RF is able to design a fixture to suit your specific package or application.